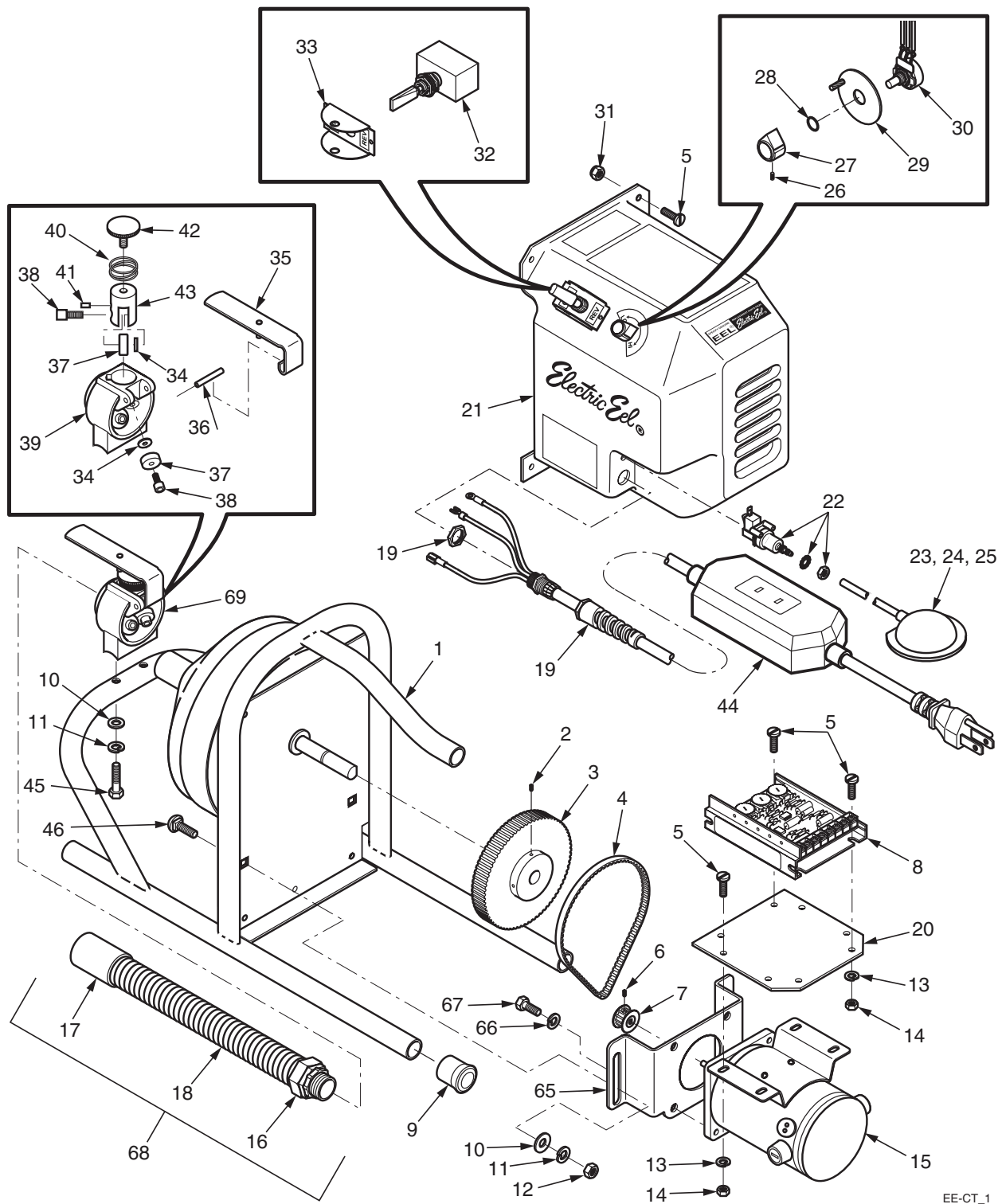
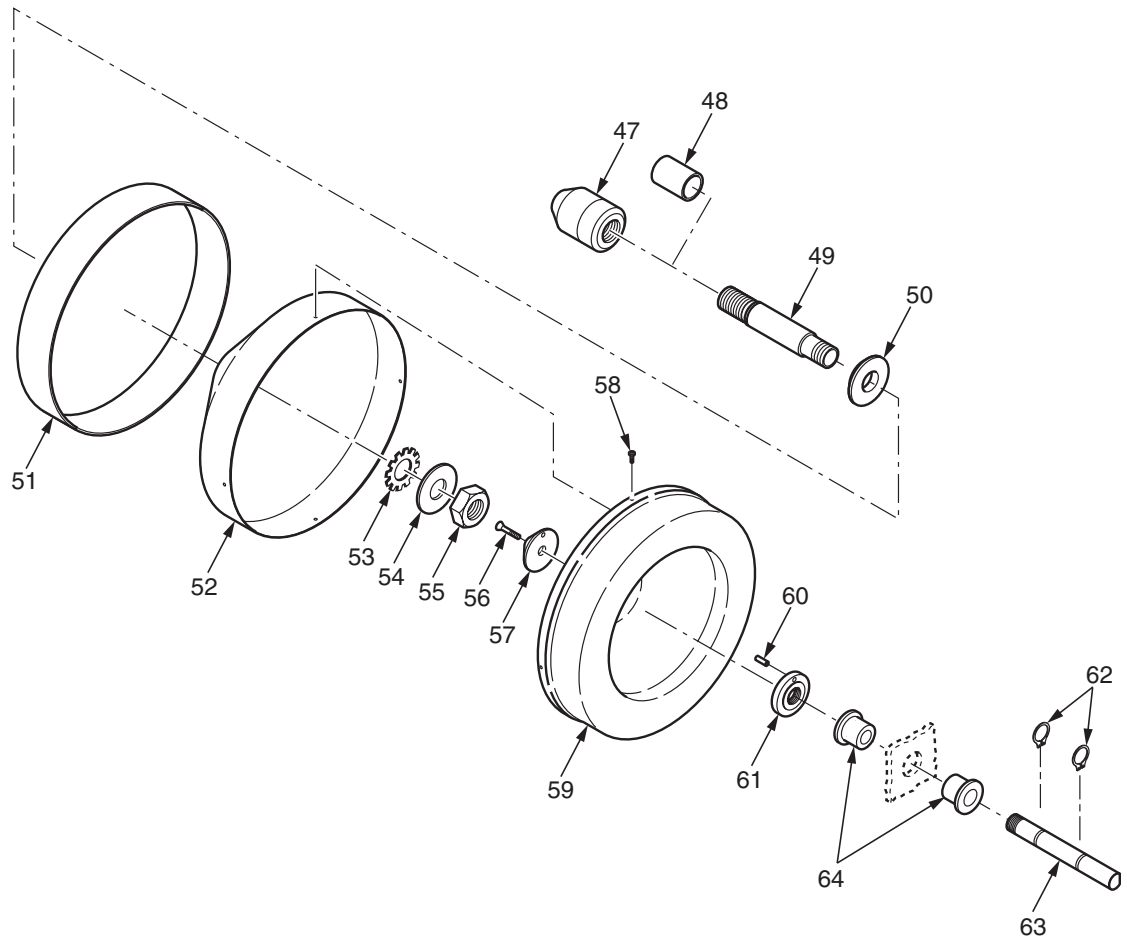


# MODEL CT DRAIN CLEANING MACHINE



# MODEL CT DRAIN CLEANING MACHINE



EE-CT\_2

## MODEL CT DRAIN CLEANING MACHINE

ITEM NUMBER	PART NUMBER	DESCRIPTION	AMT
1	CT9	Frame. . . . .	1
2	SS102812	10-24 x 1/2" Set Screw . . . . .	1
3	CT4	Drive Pulley. . . . .	1
4	CT5	Drive Belt . . . . .	1
5	MS102412RH	10-24 x 1/2 Round Head Machine Screw . . .	12
6	SS832316	8-32 x 3/16 Set Screw . . . . .	1
7	CT3	Motor Pulley . . . . .	1
8	CT2****	Control Board . . . . .	1
9	EE-14	Rubber Tips. . . . .	5
10	WA516S	5/16 SAE Flatwasher. . . . .	2
11	LW516	5/16 Lockwasher . . . . .	4
12	NU51618FHP	5/16-18 Hex Nut . . . . .	2
13	LW10	#10 Lockwasher . . . . .	8
14	NU1024FHP	10-24 Hex Nut. . . . .	8
15	CTM-15	Motor. . . . .	1
16	CT-GTC	Guide Tube Coupler . . . . .	1
17	CT-GTCAP	Guide Tube End Cap. . . . .	1
18	CT-GT	Guide Tube . . . . .	1
19	CT-PCSR	Power Cord Strain Relief . . . . .	1
20	CT19	Control Board Mounting Plate . . . . .	1
21	CT8	Motor Housing . . . . .	1
22	TBS3218	Air Switch . . . . .	1
23	FP-1	Foot Pedal . . . . .	1
24	FP-2	Foot Pedal Hose . . . . .	1
25	FP-1A*	Foot Pedal Assembly*. . . . .	1
26	SS83214	8-32 x 1/4 Set Screw . . . . .	1
27	CT16	Speed Control Knob . . . . .	1
28	ORO1008	O-Ring. . . . .	1
29	CT6	Speed Control Switch Support . . . . .	1
30	CT1	Speed Control Switch . . . . .	1
31	NU1024NY	10-24 Hex Nut Nylock . . . . .	4
32	CT-SWFR	Forward/Reverse Switch . . . . .	1
33	SW-Guard	Switch Guard. . . . .	1
34	C138290	Spacer . . . . .	3
35	CT12	Feeder Handle . . . . .	1
36	RP316114	3/16 x 1 1/4 Roll Pin . . . . .	1
37	CT13SET	Feeder Bearing Set . . . . .	1
38	CSSH142058	1/4-20 x 5/8 Socket Head Cap Screw . . . . .	3
39	CT14	Feeder Body . . . . .	1
40	CT7	Tension Spring. . . . .	1
41	GP1438	Guide Pin. . . . .	1
42	CT10	Tension Knob . . . . .	1
43	CT18	Upper Bearing Insert. . . . .	1
44	GFCI	Ground Fault Circuit Interruptr. . . . .	1

## MODEL CT DRAIN CLEANING MACHINE

ITEM NUMBER	PART NUMBER	DESCRIPTION	AMT
45	CSHH51618112	5/16-18 x 1 1/2 Hex Head Cap Screw . . . . .	2
46	CB516181	5/16-18 x 1" Carriage Bolt . . . . .	2
47	S-JC	Jacob Chuck . . . . .	1
48	CT11CAP	Spindle Cap . . . . .	1
49	CT11	Drum Spindle . . . . .	1
50	S-6	Collar . . . . .	1
51	S-EDB	Elastic Drum Band . . . . .	1
52	S-1	Drum . . . . .	1
53	LW34E	3/4 External Lockwasher . . . . .	1
54	S-9	Washer . . . . .	1
55	NU3416J	3/4 Hex Jam Nut . . . . .	1
56	LHS103278SH	Left Hand Screw Socket Head . . . . .	1
57	S-8	Lock Collar . . . . .	1
58	MS63238SS	Stainless Steel Metal Screw . . . . .	4
59	S-2	Drum Cover . . . . .	1
60	RP1812	Roll Pin for S-7 . . . . .	1
61	S-7	Spacer . . . . .	1
62	RR50	Retaining Ring . . . . .	2
63	CT15	Drive Shaft . . . . .	1
64	OBSF162412	Oilite Bushing . . . . .	2
65	CT21	Motor Mount Bracket . . . . .	1
66	LW14	1/4" Lockwasher . . . . .	4
67	CSHH142034G8	1/4-20 x 3/4 Hex Head Cap Screw Grade 8 .	4
68	CT-GTA**	Guide Tube Assembly** . . . . .	1
69	CT14A***	Feeder Assy*** . . . . .	1

- \* Consist of Items 23 and 24
- \*\* Consist of Items 16, 17, and 18
- \*\*\* Consist of Items 34 through 43
- \*\*\*\* Consist of Item 30